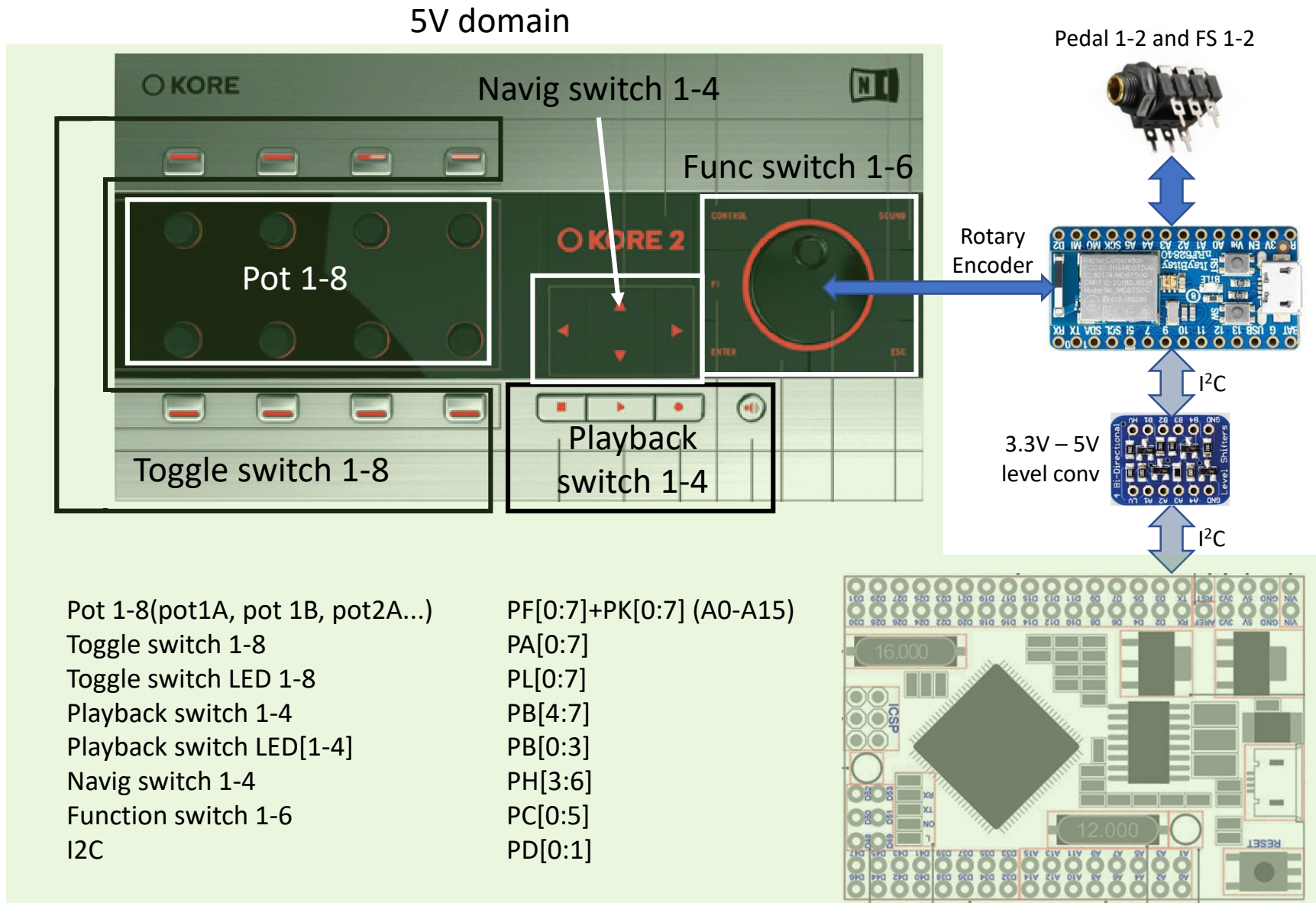


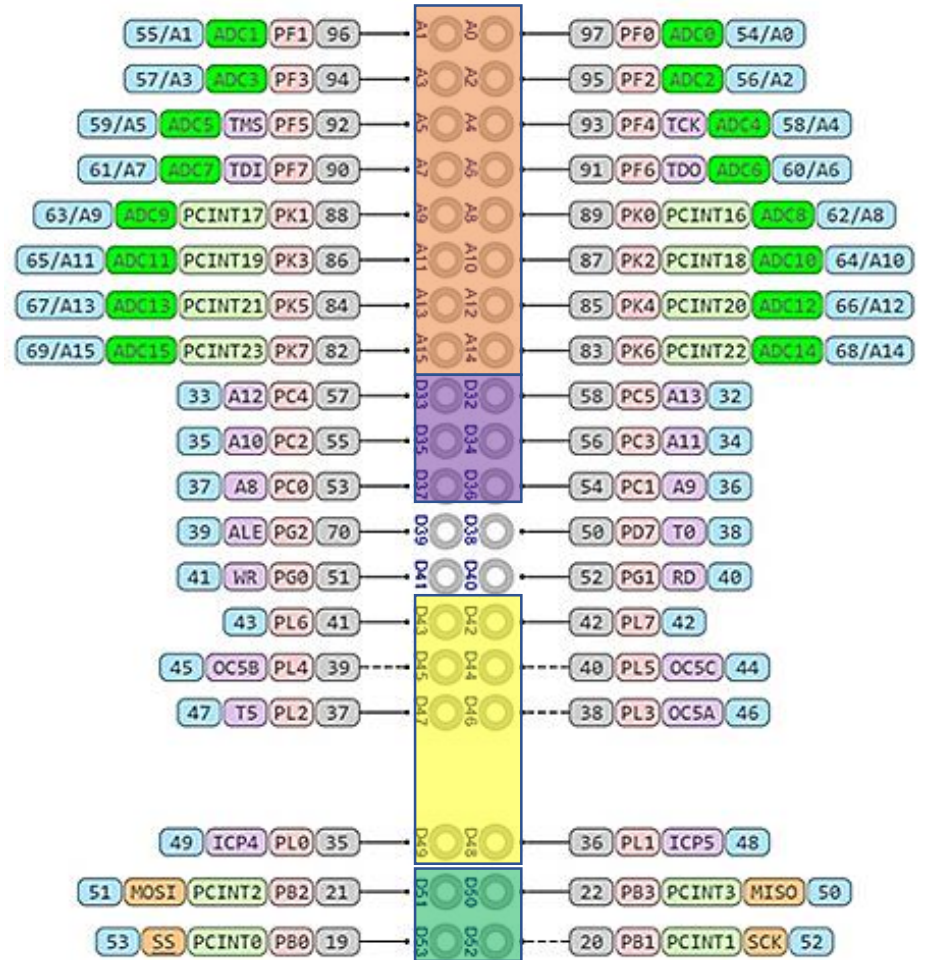
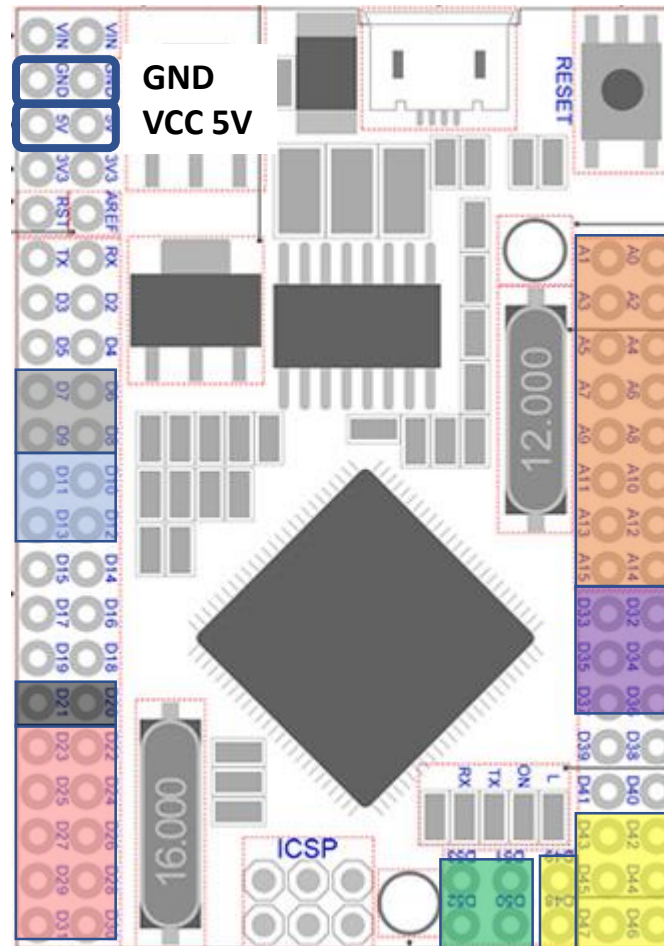
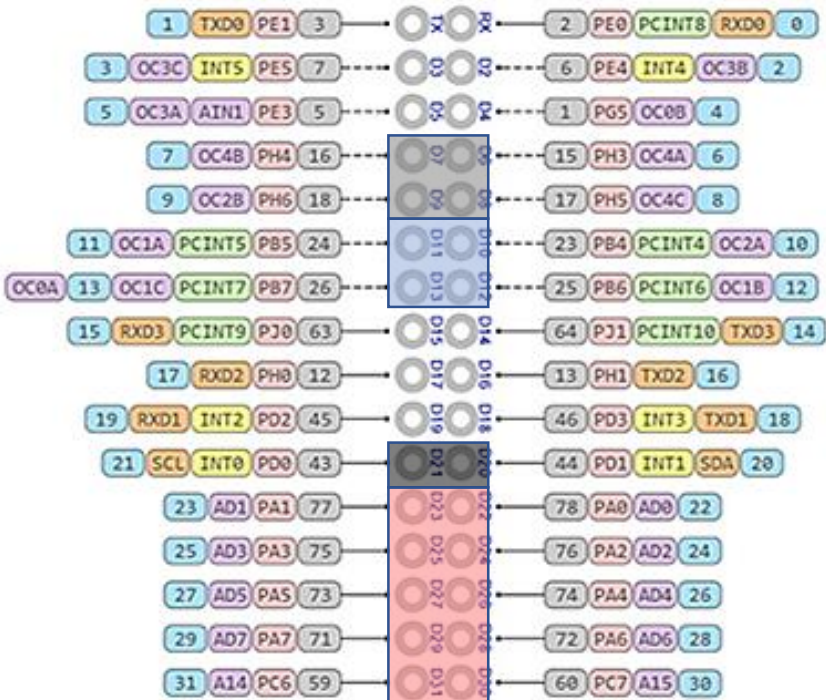
Design partitioning and overview



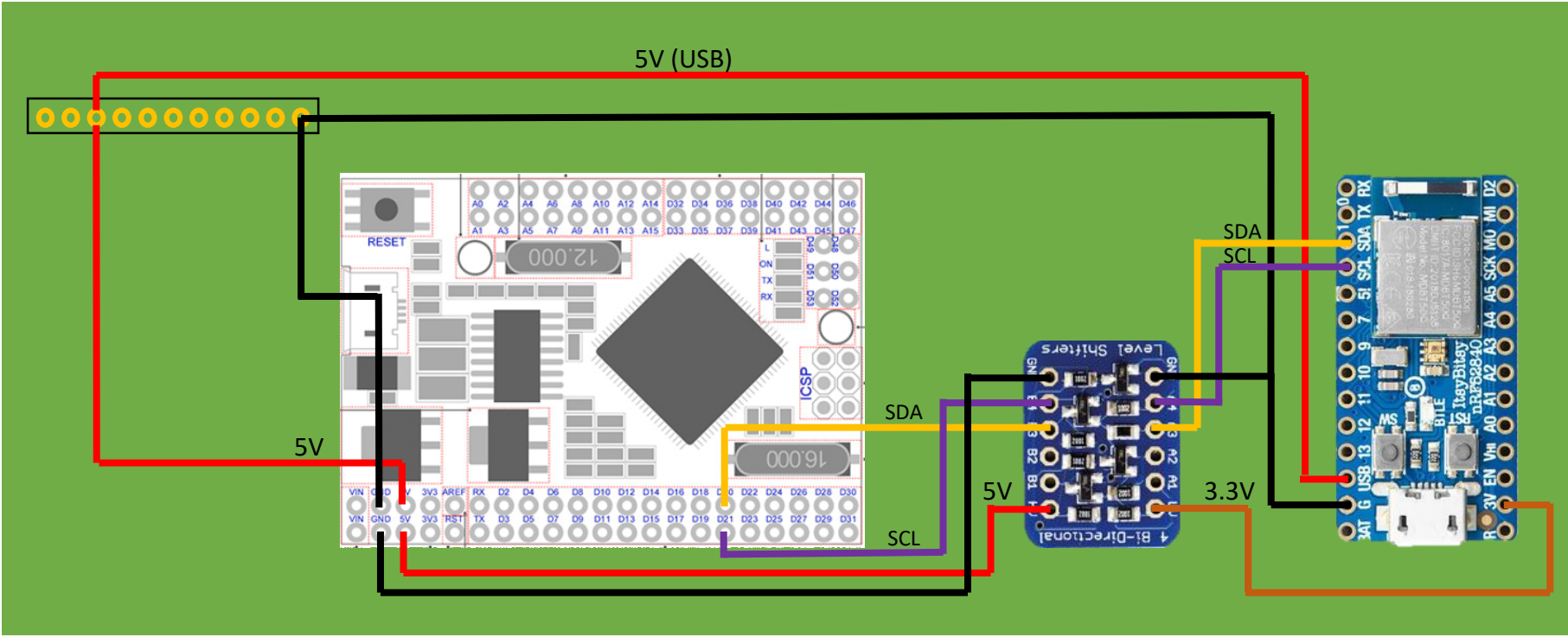
Arduino Mega2560 pin assignments

- Pot 1-8(pot1A, pot 1B, pot2A...) PF[0:7]+PK[0:7] (A0-A15)
- Toggle switch 1-8 PA[0:7]
- Toggle switch LED 1-8 PL[0:7]
- Playback switch 1-4 PB[4:7]
- Playback switch LED[1-4] PB[0:3]
- Navig switch 1-4 PH[3:6]
- Function switch 1-6 PC[0:5]
- I2C PD[0:1]

- Power
- Control
- GND
- Serial Pin
- Analog Pin
- Interrupt Pin
- Physical Pin
- Pin function
- Port Pin
- INT
- Arduino



Power and I2C routing



Pedal and Foot Switch wiring

